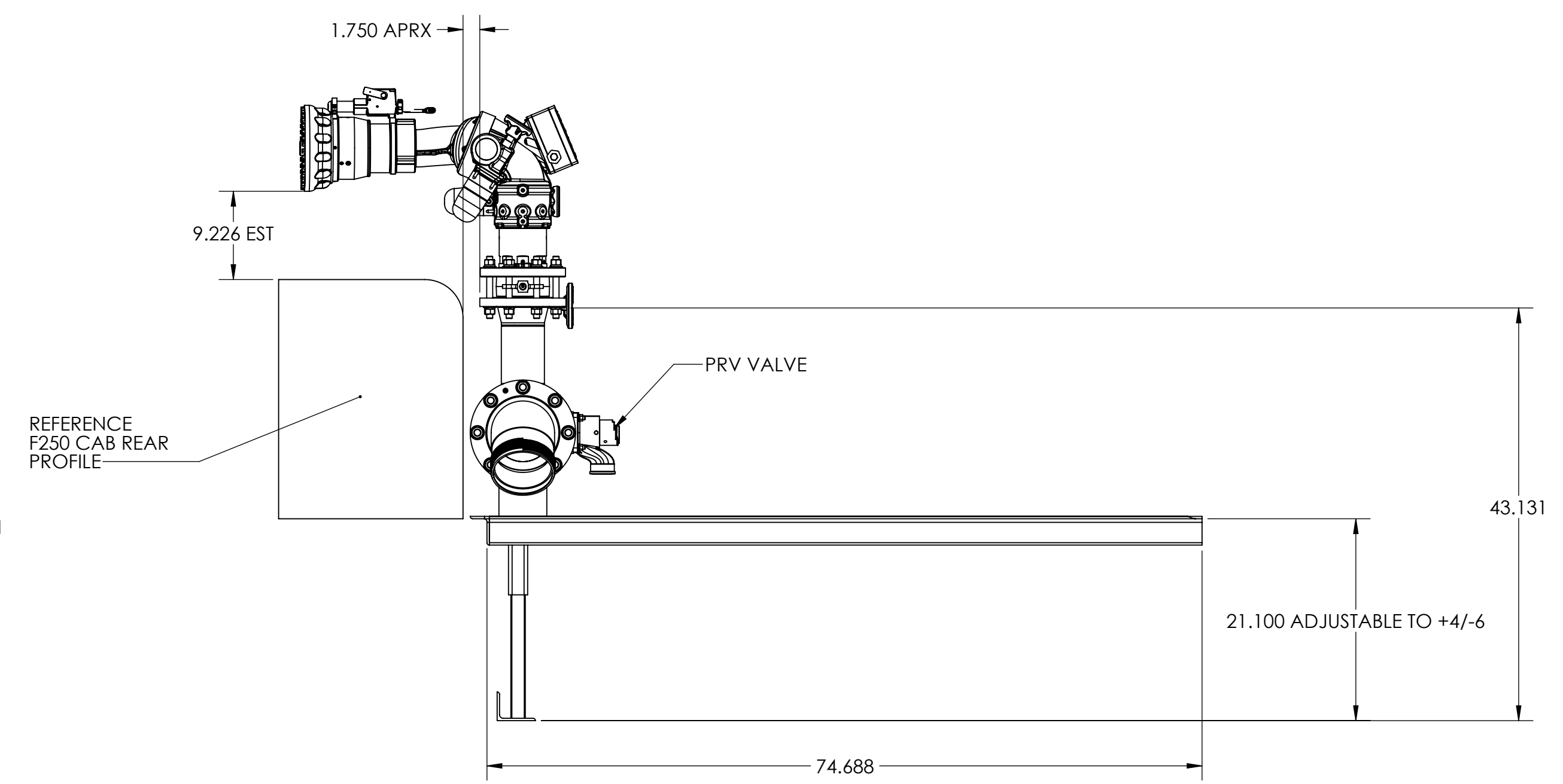
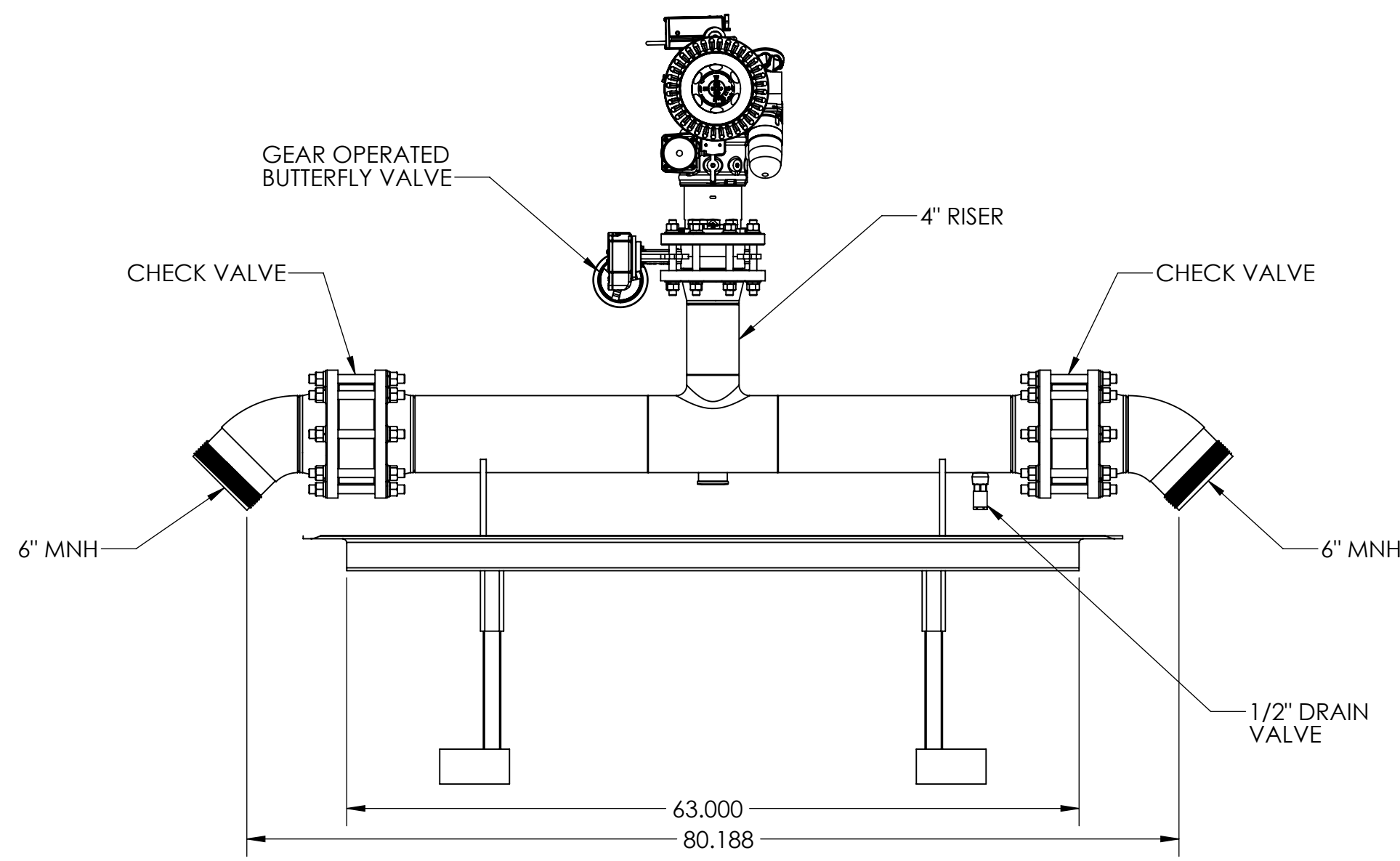
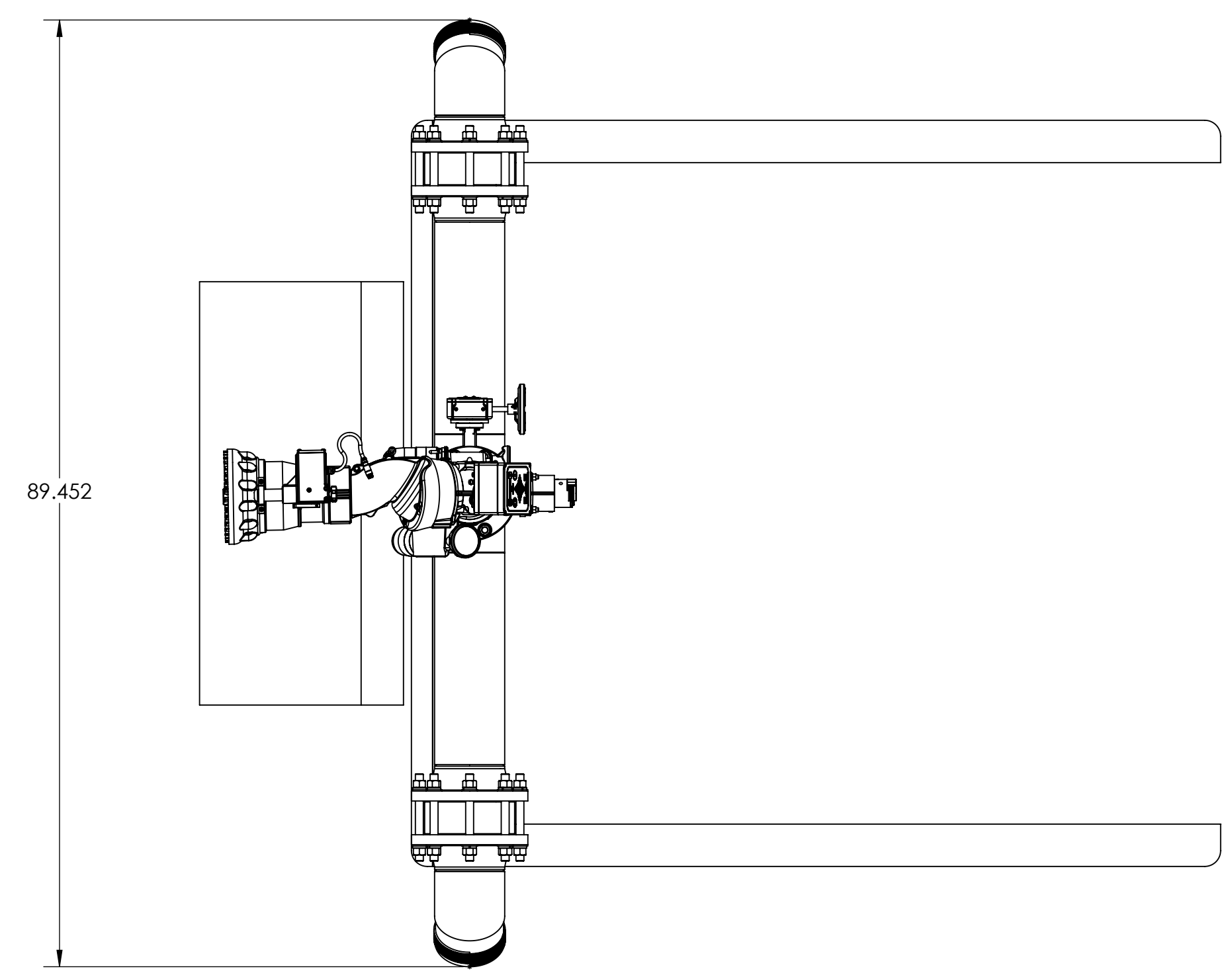
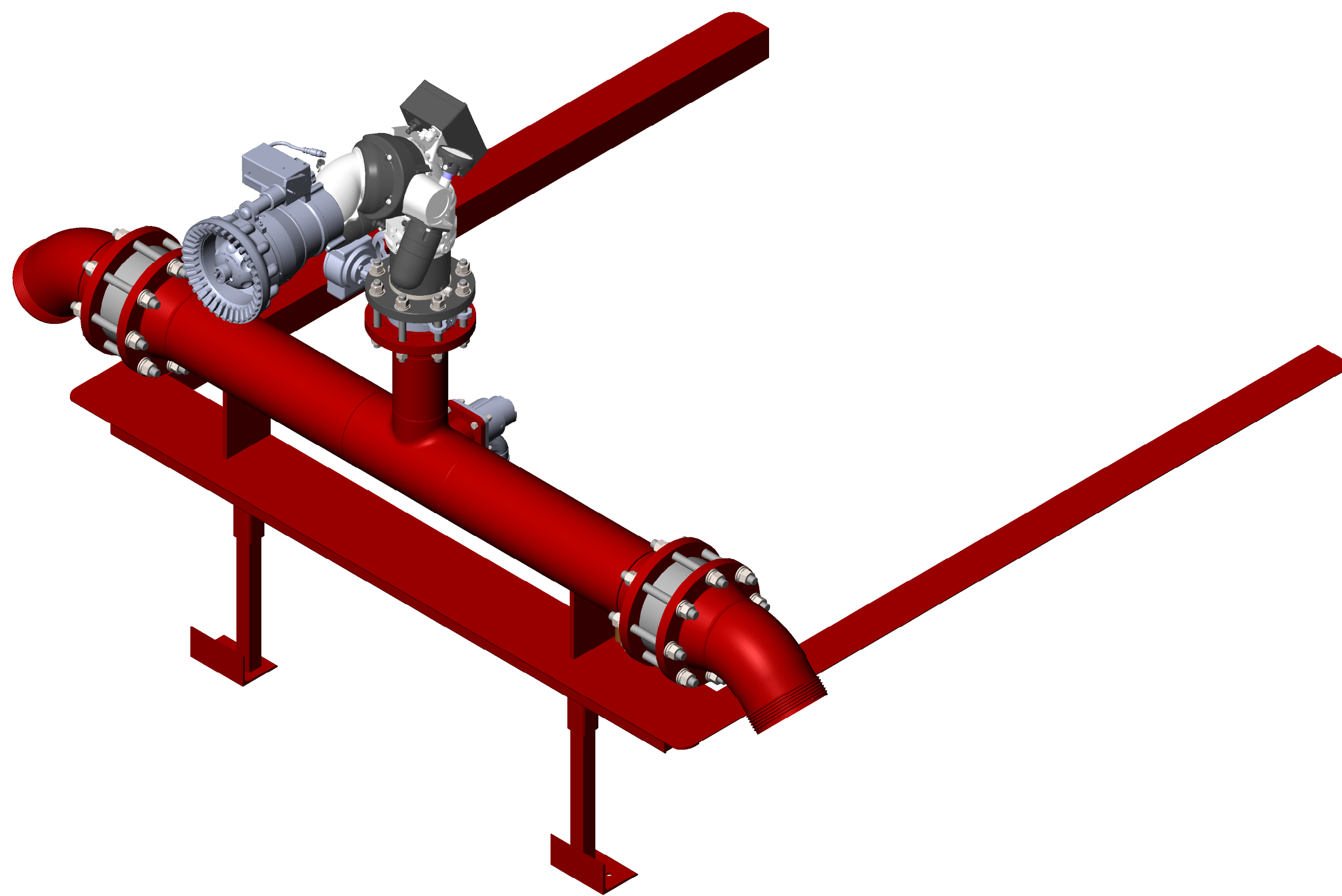


NOTES:

1. APPLICABLE STANDARDS/SPECIFICATIONS
 - A. ASME Y14.5M-1994, DIMENSIONS AND TOLERANCES
 - B. ASME Y14.38-2007, ABBREVIATIONS AND ACRONYMS
2. DESIGN MODEL IS REPRESENTED IN CAD DIGITAL DATA FILE. DESIGN MODEL AVAILABLE IN OTHER 2D AND 3D DIGITAL DATA FORMATS ON REQUEST. INTERPRET PER ASME Y14.41-2003.
3. FINISH: -

REVISIONS				
ZONE	REV.	DESCRIPTION	DATE	APPROVED
	-	INITIAL RELEASE	7/26/18	REN



THE INFORMATION CONTAINED HEREIN IS PROPRIETARY DATA, AND IS NOT FOR DISSEMINATION OR DISCLOSURE, IN WHOLE OR IN PART, FOR ANY PURPOSE OTHER THAN THAT FOR WHICH IT IS SUBMITTED, EXCEPT AS AUTHORIZED IN WRITING BY US FIRE PUMP.

DELIVERY MUST CONFORM EXACTLY WITH DRAWING SPECIFICATIONS AND APPROVED Q.A. SAMPLES. ABSOLUTELY NO CHANGES ARE PERMITTED WITHOUT PRIOR APPROVAL BY US FIRE PUMP. THIS INCLUDES CHANGES TO: SOFTWARE, MATERIALS, INTERNAL COMPONENTS, MANUFACTURING PROCESSES.

INCH

ADDITIONAL APPROVALS	DATE				
STRESS					
MATERIALS & PROCESSES					
QUALITY ASSURANCE					
MANUFACTURING ENGINEERING					
TREATMENT					
DASH NO.		NEXT ASSY	USED ON		
APPLICATION					
PROJECTION			FINISH		
THIRD ANGLE			-		

UNLESS OTHERWISE SPECIFIED DIMENSIONS ARE IN INCHES. TOLERANCES ARE:		PROJECT	
DECIMALS: .XX ± 0.02	ANGLES: ± 0.5°	APPROVALS	DATE
XXX ± 0.010	SHEETMETAL DIMENSIONS: ± 0.015	DRAWN: REN	7/26/18
DO NOT SCALE DRAWING			
MATERIAL		CHECKED: REN	7/26/18
DESIGNER: REN		7/26/18	
APPROVED: REN		7/26/18	

ASM-QUICK ATTACK, SINGLE 4" OUTLET, DUAL 6" SIDE INTLET, FORD SUPER DUTY

SIZE: D	CAGE CODE: -	DWG NO: 778-4001-04-0	REV: -
SCALE: 1:12	RELEASE DATE: -	WEIGHT: 5756.122 lbs.	SHEET: 1 of 1